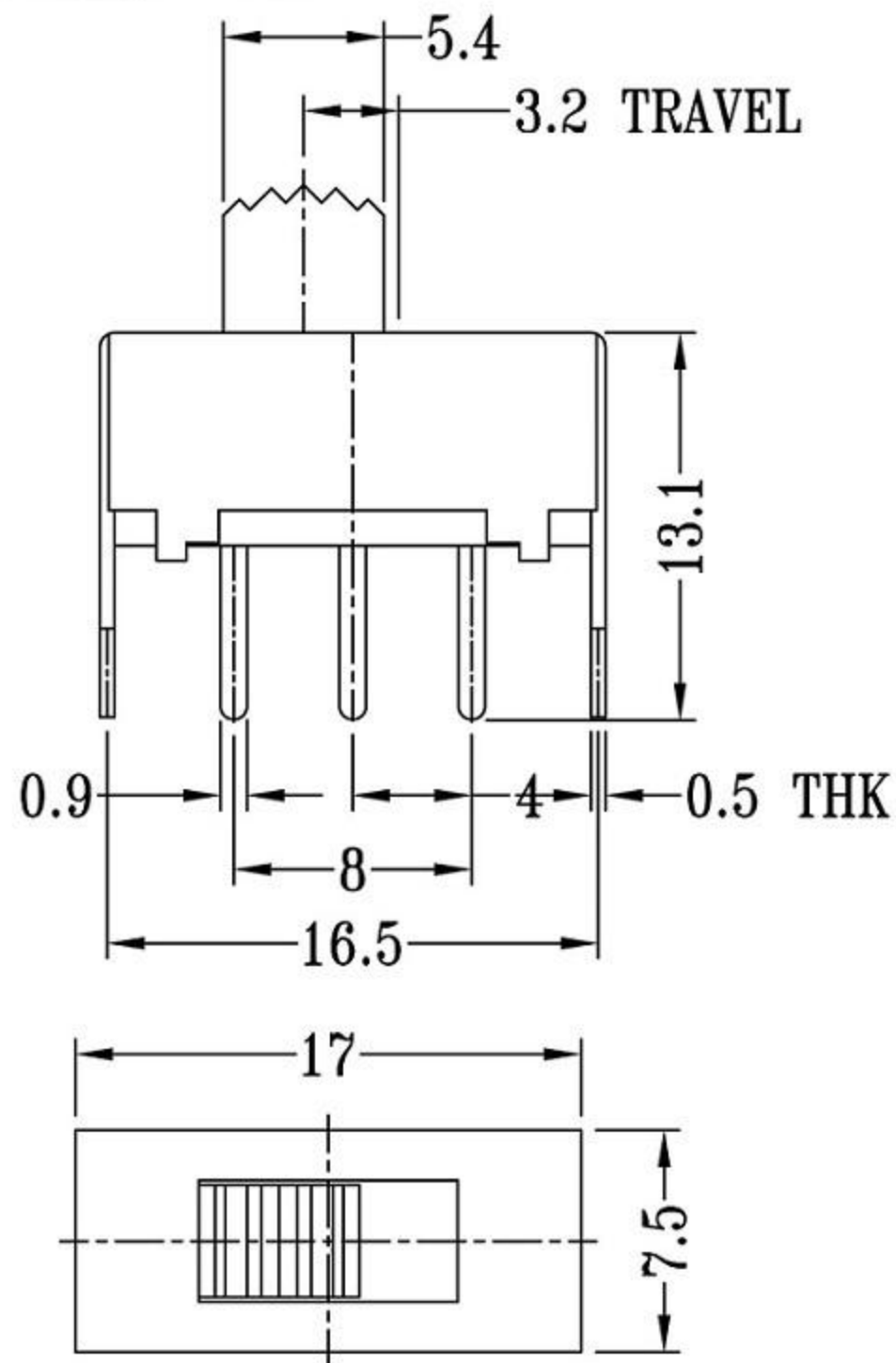
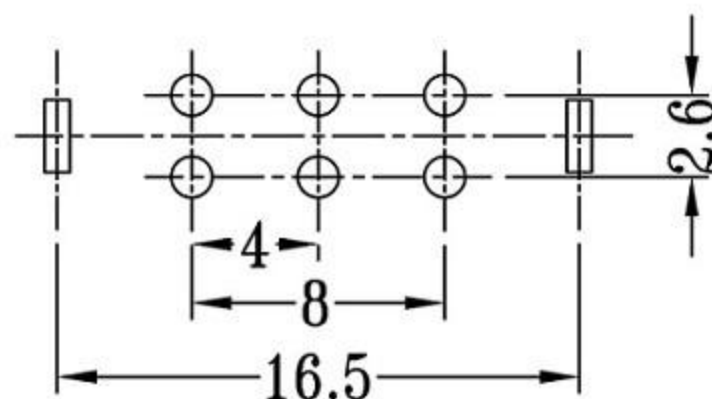
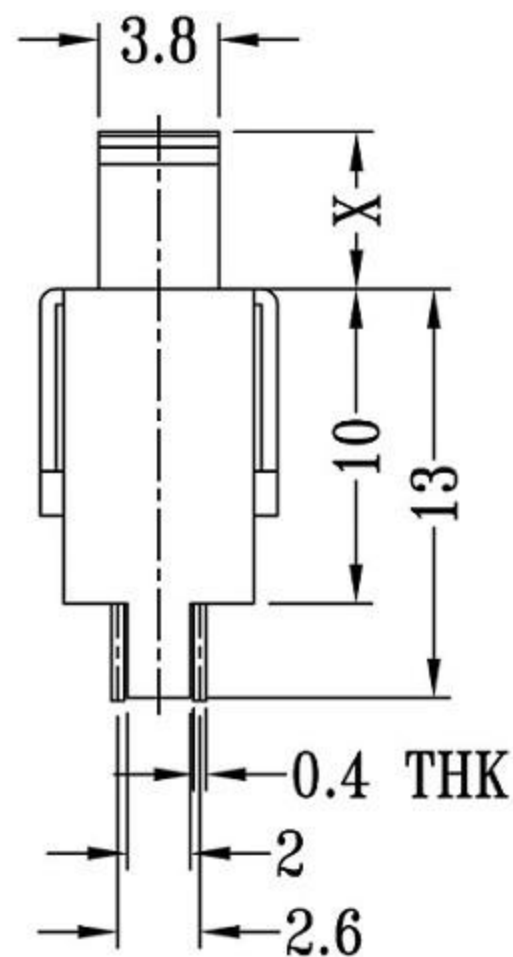




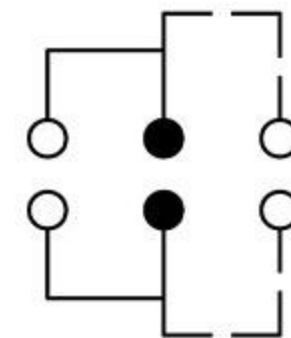
CAD FILE:



注：“\*”表示关键尺寸(6个)



P.C.B LAYOUT  
BOTTOM VIEW



SCHEMATIC (NON-SHORTING)

拨动开关立式技术参数:

1. 额定负荷: DC 30V 50V 0.3A 0.5A
2. 接触阻抗:  $\leq 50m\Omega$
3. 绝缘阻抗:  $\geq 100m\Omega$  DC500V
4. 耐焊温度:  $250 \pm 5^\circ$  5s
5. 使用寿命: 10,000 cycles
6. 使用温度:  $-25^\circ\text{C}$  to  $80^\circ\text{C}$
7. 使用湿度:  $\leq 85\%$  RH
8. 操作力: 160gf 256gf 300gf 可定制
9. 手柄长度: 2mm-10mm 可定制

NO.	PARTS	MATERIALS	Q'TY	FINISH	TOLERANCE UNLESS SPECIFIED		WITHIN OVER		TITLE : VERTICAL SLIDE SWITCH		UNIT : mm	DRWG NO.:	
8					UNLESS SPECIFIED				MODEL:		SCALE: 3:1	DWN.	2012-10-26
7	STEEL BALL	STEEL	1	NATURAL	UNLESS SPECIFIED				MODEL:		SCALE: 3:1	APPD.	2012-10-26
6	SPRING	STEEL WIRE	1	NATURAL	UNLESS SPECIFIED				MODEL:		SCALE: 3:1	APPD.	2012-10-26
5	CONTACT CLIP	PBS STRIP	2	Ag PLATED	UNLESS SPECIFIED				MODEL:		SCALE: 3:1	APPD.	2012-10-26
4	TERMINAL	BRASS STRIP	8	Ag PLATED	UNLESS SPECIFIED				MODEL:		SCALE: 3:1	APPD.	2012-10-26
3	BASE	PHENOLIC RESIN	1	NATURAL	UNLESS SPECIFIED				MODEL:		SCALE: 3:1	APPD.	2012-10-26
2	FRAME	STEEL STRIP	1	Ni PLATED	UNLESS SPECIFIED				MODEL:		SCALE: 3:1	APPD.	2012-10-26
1	KNOB	POM	1	BLACK	UNLESS SPECIFIED				MODEL:		SCALE: 3:1	APPD.	2012-10-26
					TOLERANCE		WITHIN OVER		TITLE : VERTICAL SLIDE SWITCH		UNIT : mm	DRWG NO.:	
					UNLESS SPECIFIED				MODEL:		SCALE: 3:1	DWN.	2012-10-26
					UNLESS SPECIFIED				MODEL:		SCALE: 3:1	APPD.	2012-10-26

东莞市高迪电子有限公司